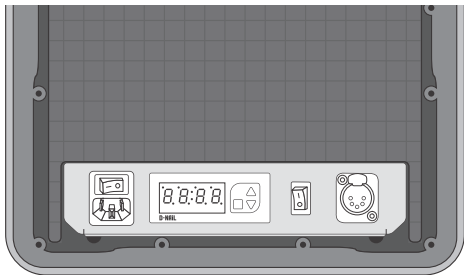


# D-NAIL®

# NINJANAIL™

TM

## DIGITAL CONTROLLER INSTRUCTIONS



**READ BEFORE USE:** DOCUMENT  
CONTAINS IMPORTANT INFORMATION

# D-NAIL®



# NINJANAIL™

## CONTROLLER DIRECTIONS

### 1 Plug power cord into **POWER INPUT (B)**

**ENSURE HEATER SWITCH (D) IS IN OFF POSITION BEFORE PLUGGING UNIT INTO OUTLET.**

### 2 **POWER SWITCH (A)** turns on controller.

*If heater is not plugged in ccreen flashes 8.8:8.8.*

### 3 Plug D-NAIL<sup>®</sup> heater into **HEATER INPUT (E)**

*Only D-NAIL<sup>®</sup> heaters should be used.*

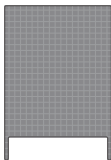
*Other heaters fit plug, but may not work.*

### 4 **HEATER SWITCH (D)** turns on heater.

**ENSURE HEATER COILS ARE IN A SAFE POSITION BEFORE POWERING ON HEATER**



- A** Heater Input
- B** Power Switch
- C** Control Face
- D** Heater Switch
- E** Power Input



**Controller  
fits into  
Case with  
Foam Insert**

# D-NAIL<sup>®</sup>



# NINJA NAIL

## SET TEMPERATURE: **MUST BE ADJUSTED BEFORE FIRST USE**

1 Press **SET** button once to adjust temperature.

Screen will display *8.8:8.8.*

Pressing **SET** twice will display *8.8:8.8.*, which is the alarm set point and doesn't need adjustment. *Default value is 1112.*



CONTROL FACE  
BUTTONS

Pressing **SET** again will return to temperature.

2 Press **UP** and **DOWN** arrows to select temperature.

Screen will display selected temperature.

3 When display stops flashing, temperature is set.

## AFTER USE:

**TAKE CARE: UNLESS GIVEN TIME TO COOL, HEATER & NAIL WILL BE HOT**

1 Flip **HEATER SWITCH (D)** to off position.

*Heater & Nail will be hot, allow time to cool.*

2 To unplug heater: press metal tab above **HEATER INPUT (E)** while gently pulling heater end. Do not tug on cord.

## CLEAN CONTROLLER:

**POWER OFF CONTROLLER BEFORE CLEANING**

Wipe **CONTROLLER FACE (C)** with a soft, dry cloth. Other surfaces can be cleaned with a soft damp cloth (*wet with water or isopropyl alcohol*).

# D-NAIL®



# NINJA NAIL



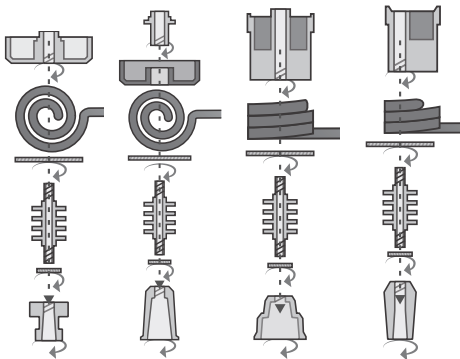
**CAUTION: IN USE HEATERS ARE HOT  
DO NOT TOUCH HEATER COILS**

### ASSEMBLE HEATER & NAIL:

**DO NOT ASSEMBLE WHILE HEATER IS PLUGGED INTO CONTROLLER**

Hand tighten threaded parts until snug

**NEVER OVER TIGHTEN**



*Nail styles, materials & heater size may vary from pictures.  
Visit [D-Nail.com](http://D-Nail.com) for examples of other assemblies.*

**D-NAIL®**



**NINJA NAIL**

## KEEPING NAIL CLEAN:

After every application clean unvaporized material with dry cotton swab.

Unvaporized material builds up as black residue.

**WHEN COOL USE ISOPROPYL ALCOHOL TO CLEAN,  
WATER WILL OXIDIZE TITANIUM.**

## CLEAN BUILD UP INSIDE DISH:

- 1 Heat dish to approximately 900°F for several minutes, until residue becomes ash.
- 2 Allow nail to cool then clean with dry cotton swab.

## GET THE MOST OUT OF YOUR HEATER:

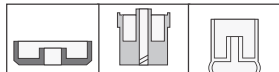
**HEATERS WILL LAST THOUSANDS OF HOURS WITH PROPER USE**

A few things will dramatically reduce the life of a heater, **DO NOT:**

- HEAT ABOVE 1100°F / 600°C
- APPLY WATER FOR COOLING OR CLEANING
- BEND, TWIST, OR OTHERWISE STRESS THE CORD

## RECOMMENDED HEATER TEMPERATURE:

Lower temperatures are recommended



*Halo Dish*

550-650 °F

*Deep Dish*

600-650 °F

*all Quartz*

650-750 °F

VISIT [D-NAIL.COM](http://D-NAIL.COM)  
TO VIEW DISH  
TEMPERATURE  
CALCULATOR

# D-NAIL®

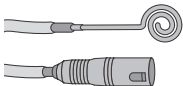


# NINJA NAIL

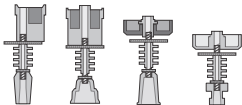
## COMPLETE VAPORIZATION KIT INCLUDES:



**CONTROL STATION**  
*with power cord.*



**COIL HEATER**  
*Size may vary  
from picture*



**NAIL**  
*design and  
material may vary  
from picture*

## WARRANTY INFORMATION:

**2 YEAR WARRANTY ON ALL PARTS AGAINST FAILURE.**

Repair after two years or from accidental damage can be done at a fair price.

**Lifetime warranty option available on D-NAIL.COM**

*Information from sticker on the bottom of controller is needed to claim warranty service.*

**CONTACT@D-NAIL.COM OR FACEBOOK.COM/DNAIL710**

**D-NAIL®**



**NINJA NAIL**