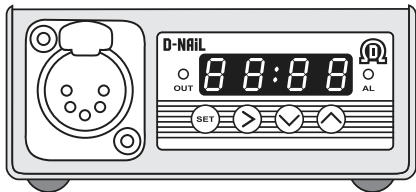


D-NAIL[®] Mini



DIGITAL CONTROLLER INSTRUCTIONS

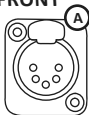
READ BEFORE USE: DOCUMENT
CONTAINS IMPORTANT INFORMATION

D-NAIL[®]



Mini

FRONT



BACK



- A Heater Input
- B Control Face
- C Power Switch
- D Power Input
- E Heater Switch

CONTROLLER DIRECTIONS

1 Plug power cord into **POWER INPUT (D)**

2 **POWER SWITCH (C)** turns on controller.

3 Plug D-NAIL[®] heater into **HEATER INPUT (A)**

Use only D-NAIL[®] Heater, an incompatible heater may destroy or cause permanent damage to the vaporizer, heater, or both

4 **HEATER SWITCH (E)** turns on heater.

ENSURE HEATER COILS ARE IN A SAFE POSITION BEFORE POWERING ON HEATER

D-NAIL[®]



Mini

SET TEMPERATURE: MUST BE ADJUSTED BEFORE FIRST USE

Press  and  buttons to set value

AFTER USE:

TAKE CARE: UNLESS GIVEN TIME TO COOL, HEATER & NAIL WILL BE HOT

1 Flip HEATER SWITCH (E) to off position

*Heater & Nail will be hot, allow time to cool.
Observing temperature during cooling is recommended.*

2 To unplug heater: press metal tab above HEATER INPUT (A) while gently pulling heater end. Do not tug on cord.

CLEAN CONTROLLER:

POWER OFF CONTROLLER BEFORE CLEANING

Wipe **CONTROLLER FACE (A)** with a soft, dry cloth. Other surfaces can be cleaned with a soft damp cloth (*wet with water or isopropyl alcohol*)

D-NAIL[®]



Mini



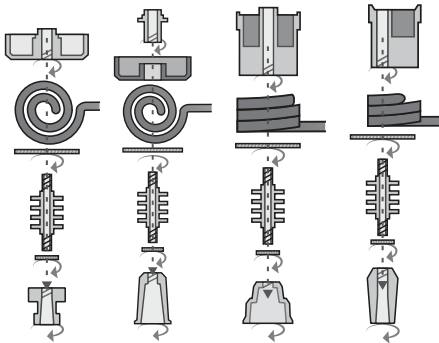
**CAUTION: IN USE HEATERS ARE HOT
DO NOT TOUCH HEATER COILS**

ASSEMBLE HEATER & NAIL:

DO NOT ASSEMBLE WHILE HEATER IS PLUGGED INTO CONTROLLER

Hand tighten threaded parts until snug

NEVER OVER TIGHTEN



Nail styles, materials & heater size may vary from pictures.

Visit D-Nail.com for examples of other assemblies.

D-NAIL®



Mini

KEEPING NAIL CLEAN:

After every application clean unvaporized material with dry cotton swab.

Unvaporized material builds up as black residue.

**WHEN COOL USE ISOPROPYL ALCOHOL TO CLEAN,
WATER WILL OXIDIZE TITANIUM.**

CLEAN BUILD UP INSIDE DISH:

- 1 Heat dish to approximately 900°F for several minutes, until residue becomes ash.
- 2 Allow nail to cool then clean with dry cotton swab.

GET THE MOST OUT OF YOUR HEATER:

HEATERS WILL LAST THOUSANDS OF HOURS WITH PROPER USE

A few things will dramatically reduce the life of a heater, **DO NOT:**

- HEAT ABOVE 1100°F / 600°C
- APPLY WATER FOR COOLING OR CLEANING
- BEND, TWIST, OR OTHERWISE STRESS THE CORD

RECOMMENDED HEATER TEMPERATURE:

Lower temperatures are recommended



Halo Dish

550-650 °F



Deep Dish

600-650 °F



all Quartz

650-750 °F

D-NAIL®

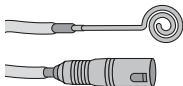


Mini

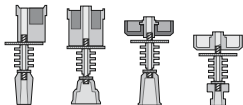
COMPLETE VAPORIZATION KIT INCLUDES:



CONTROL STATION
with power cord.



COIL HEATER
*Size may vary
from picture*



NAIL
*design and
material may vary
from picture*

WARRANTY INFORMATION:

2 YEAR WARRANTY ON ALL PARTS AGAINST FAILURE
Repair after two years or from accidental damage can be done at a fair price.

Lifetime warranty option available on D-NAIL.COM
Information from sticker on the bottom of controller is needed to claim warranty service.

CONTACT@D-NAIL.COM OR FACEBOOK.COM/DNAIL710

D-NAIL®



Mini